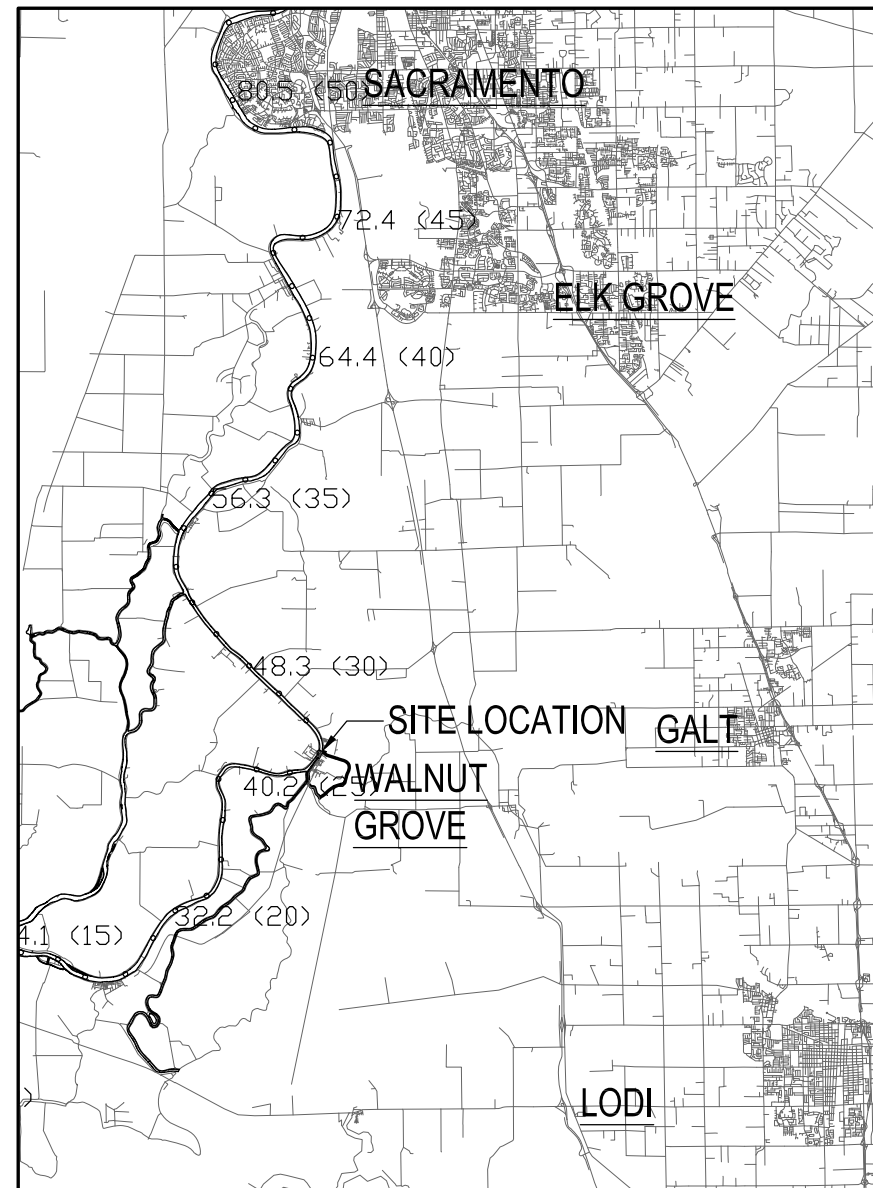


RECLAMATION DISTRICT 554 - EAST WALNUT GROVE

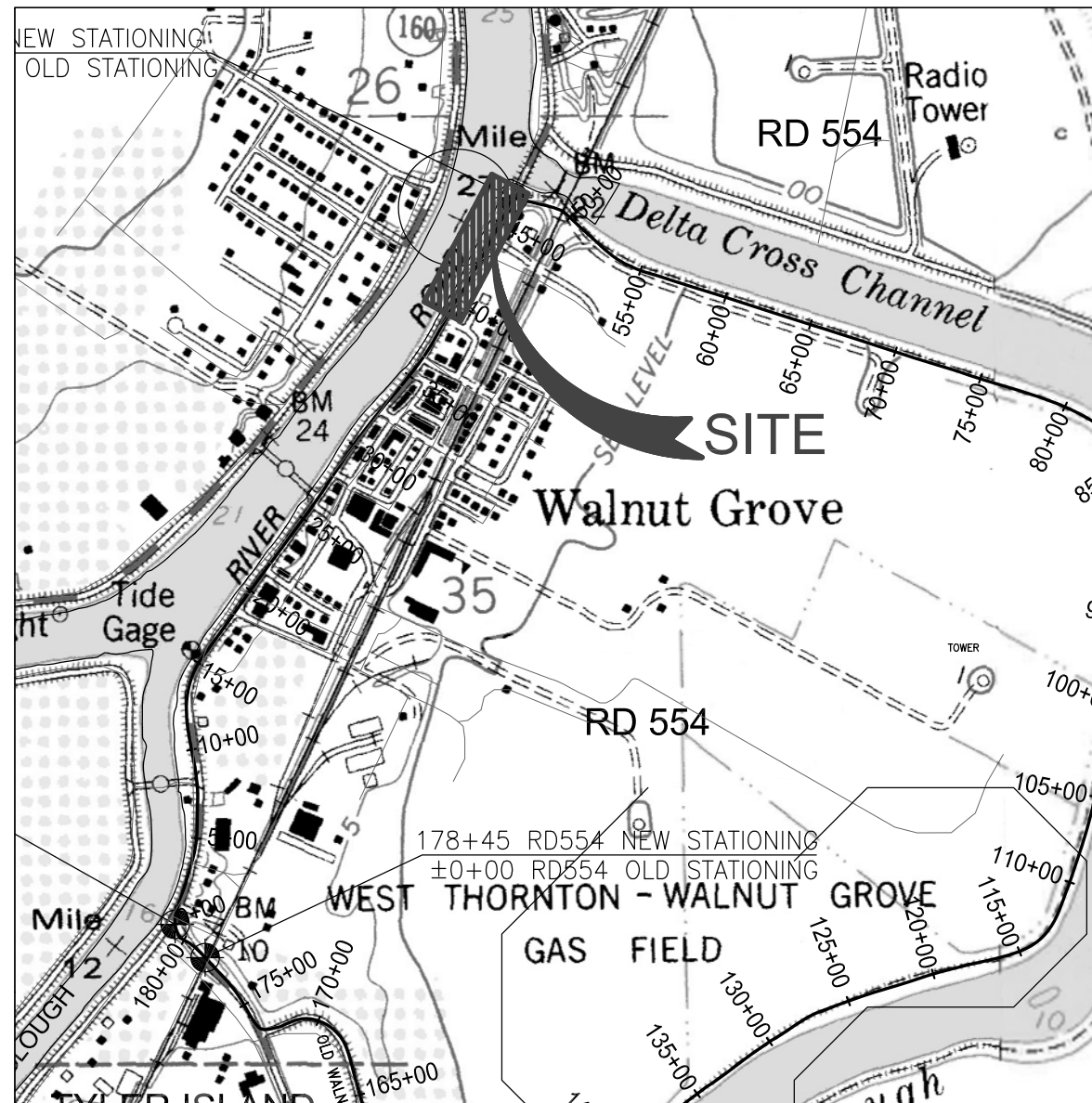
EROSION CONTROL AND RIPARIAN BENCH RESTORATION SACRAMENTO RIVER RIGHT BANK STA 39+50 TO STA 46+50 [RM0.0-RM0.0]

DRAWING INDEX

- C1.0 VICINITY MAP AND SITE MAP
- C2.0 GENERAL NOTES AND SPECIFICATIONS
- C3.0 PLAN & PROFILE STA 40+00 - 46+50
- C4.0 TYPICAL CROSS SECTION & STA 39+50
- C4.1 CROSS SECTIONS STA 40+00 & STA 40+50
- C4.2 CROSS SECTIONS STA 41+00 & STA 41+50
- C4.3 CROSS SECTIONS STA 42+00 & STA 42+50
- C4.4 CROSS SECTIONS STA 43+00 & STA 43+50
- C4.5 CROSS SECTIONS STA 44+00 & STA 44+50
- C4.6 CROSS SECTIONS STA 45+00 & STA 45+50
- C4.7 CROSS SECTIONS STA 46+00 & STA 46+50



VICINITY MAP



SITE MAP

DATA REFERENCES:

- 1) VERTICAL DATUM: NAVD88 (NORTH AMERICAN VERTICAL DATUM OF 1988)
- 2) THE LAND CONTOURS BASED ON THE DWR LIDAR SURVEY 2007.
- 3) THE BATHYMETRY DATA WAS COLLECTED IN JUNE OF 2013.
- 4) THE 100-YR DESIGN FLOOD ELEVATIONS ARE BASED ON THE DWR DSC REPORT

ARCHITECT
Gilbert & Labrie - AIA
(916) 776-2277 Fax (916) 776-2282
P.O. BOX 183, WALNUT GROVE, CA 95690

DCC ENGINEERING CO. INC.
PLANNING
PERMITTING
ARCHITECTURE
CIVIL ENGINEERING
PROJECT MANAGEMENT
P.O. BOX 929, GROVE, CA 95690 TEL (916) 776-2277 FAX (916) 776-2282

DESIGNED BY: N/A
DRAWN BY: JM / RM
CHECK BY: G. LABRIE
SCALE: ORIGINAL DRAWING SCALE 0" 1/2" 1"

REVISIONS				
SYM	DESCRIPTION	DATE	BY	APPRD. BY

RECLAMATION DISTRICT 554-EAST WALNUT GROVE
EROSION CONTROL AND RIPARIAN BENCH RESTORATION
SACRAMENTO RIVER
STA 39+50 TO STA 46+50
VICINITY MAP AND SITE LOCATIONS MAP

DATE: 10-19-2020
SHEET NUMBER: C1.0
PROJECT NUMBER: 7738.022

GENERAL NOTES

1. GENERAL NOTES AREA APPLICABLE TO ALL WORK, UNLESS OTHERWISE ON OTHER SHEETS.
2. REFERENCE LINE IS INTENDED TO FACILITATE SITE RELATED COMMUNICATION BETWEEN THE CONTRACTOR AND THE ENGINEER.

SURVEY NOTES

1. COORDINATES REFER TO THE CALIFORNIA STATE PLANE COORDINATE SYSTEM ZONE 2, NAD 83, FEET.
2. ELEVATIONS ARE REFERENCE TO THE NORTH AMERICAN VERTICAL DATUM OF 1988 (NAVD88) IN FEET.
3. LEVEE CENTERLINE PROFILE ELEVATIONS PER DWR LIDAR SURVEY 2017
4. BATHYMETRY DATA WAS OBTAINED FROM A HYDRO BY ENVIRONMENTAL DATA SOLUTIONS DONE IN JUNE OF 2013.
5. THE CONTOURS SHOWN ON THESE PLANS ARE PER THE DWR LIDAR SURVEY OF 2017.
6. THE CONTRACTOR SHALL BE RESPONSIBLE TO CONFIRM FIELD CONDITIONS PRIOR TO COMMENCEMENT OF CONSTRUCTION AND SHALL NOTIFY THE ENGINEER IF A DISCREPANCY IS FOUND THAT WILL AFFECT CONSTRUCTION.

CONSTRUCTION NOTES

1. THE LIMITS OF CONSTRUCTION WORK SHALL BE STAKED BY DCC ENGINEERING.
2. THE DIMENSIONS AND QUANTITIES SHOWN ON THESE PLANS ARE APPROXIMATE AND ONLY INDICATE THE SCOPE OF EACH REPAIR.
3. THE CONTRACTOR SHALL DETERMINE THE EXACT LOCATION OF ALL UTILITIES WITHIN THE CONSTRUCTION ZONE, ALONG THE CONSTRUCTION ACCESS ROUTE AND IN STAGING AREAS BEFORE COMMENCING WORK. THE CONTRACTOR SHALL BE FULLY RESPONSIBLE FOR ANY AND ALL DAMAGES WHICH MIGHT BE CAUSED BY THE CONTRACTOR'S FAILURE TO EXACTLY LOCATE AND PRESERVE ANY AND ALL UTILITIES.
4. LEVEE SLOPES SHALL NOT BE CUT IN ORDER TO PROVIDE CONSTRUCTION RAMPS, IF REQUIRED. TEMPORARY CONSTRUCTION ACCESS RAMPS MAY BE CONSTRUCTED DOWN THE WATERSIDE FACE OF THE LEVEE BY PLACING EARTH MATERIALS. UPON COMPLETION OF THE JOB ALL TEMPORARY RAMPS SHALL BE REMOVED AND THE MATERIALS DISPOSED OF BY THE CONTRACTOR. ANY TEMPORARY EARTHWORK ASSOCIATED WITH CONSTRUCTION MUST BE APPROVED BY THE CONTRACTING OFFICER.
5. THE CONTRACTOR SHALL BE RESPONSIBLE FOR REPAIRING ANY DAMAGE CAUSED BY THE CONTRACTOR TO THE STAGING AREAS, PAVEMENT, ROADS, FENCES, FLOOD CONTROL STRUCTURES, INCLUDING LEVEES, LEVEE RAMPS, AND EXISTING BANK PROTECTION IMPROVEMENTS, VEGETATION, AND ALL OTHER UTILITIES AND IMPROVEMENTS NOT DESIGNATED FOR REMOVAL.
6. EXISTING ROADWAYS SHALL BE KEPT CLEAR OF MUD AND DEBRIS AT ALL TIMES. AT THE STAGING SITE.
7. CONTRACTOR SHALL PROTECT IN PLACE ALL UTILITIES TO REMAIN WITHIN PROJECT LIMITS, AND WILL BE RESPONSIBLE FOR ANY DAMAGE TO THESE UTILITIES BY CONTRACTOR WORK.
8. EXCAVATION OF WATER SIDE SLOPE; CONSTRUCTION EQUIPMENT ON THE LEVEE SHALL BE APPROVED BY THE DISTRICT ENGINEER PRIOR TO MOBILIZATION TO THE CONSTRUCTION SITE. ALL EQUIPMENT SHALL BE LOW GROUND PRESSURE ON THE WATER SIDE SLOPE. A PLAN SHALL BE SUBMITTED TO THE DISTRICT ENGINEER ON EQUIPMENT BEING PLACED ON THE LEVEE CROWN OR BENCH. THE AREA ABOVE MLLW +2.3' ELEVATION NAVD 88 MAY BE EXCAVATED FROM THE LEVEE BY AN EXCAVATOR OR LONG REACH EXCAVATOR. THE SLOPE BELOW MLLW +2.3' SHALL BE EXCAVATED BY MARINE EQUIPMENT. THE CUT CAN BE STEPPED AS SHOW ON THE CROSS SECTION PLAN.

LEGEND:

	50-50 SOIL & 6" MINUS		DIRECTION OF WATER FLOW
	DWR RSP SPEC.		SLOPE
	PLANTED RIPARIAN BENCH		CONTOUR ELEVATION
	EXCAVATION		SURVEY CONTROL POINT
	(E) LEVEE PROFILE		INDICATES SECTION NUMBER
	(P) FILL		INDICATES DRAWING SHEET ON WHICH SECTION IS SHOWN
	(P) EXCAVATION	[20+00]	OLD STATIONING
	PROJECT LEVEE STANDARD SECTION	300+00	CURRENT STATIONING
	(P) JUTE FABRIC		

ABBREVIATIONS:

APPROX.	APPROXIMATE
CL	CENTER LINE
COE	CORPS OF ENGINEERING
DFE	DESIGN FLOOD ELEVATIONS
DSC	DELTA STEWARDSHIP COUNCIL
DWG	DRAWING
DWR	DEPARTMENT OF WATER RESOURCES
ELEV., EL.	ELEVATION
EP	EDGE OF PAVEMENT
(E), EX., EXIST.	EXISTING
FT	FEET
L	LENGTH
MIN.	MINIMUM
NTS	NOT TO SCALE
O.C.	ON CENTER
P	PROPOSED
PNT	POINT
RSP	ROCK SLOPE PROTECTION
SPEC	SPECIFICATIONS
STA	STATION
USACE	US ARMY CORPS OF ENGINEERS

USACE ROCK SPEC		DWR RSP SPEC	
STONE WEIGHT POUNDS	CUMULATIVE % FINER BY WEIGHT	WEIGHT (LB.)	% SMALLER BY WEIGHT MIN - MAX
400	100	400	100
250	70-100	300	85 100
100	50-80	70	15 50
30	32-58	15	0 5
5	2-20	LIGHT CLASS ROCK	
1	0-10	ROCK WEIGHT	% LARGER THAN
LESS THAN 1/2" MAX. DIMENSION		1/4 TON	0-5
NOTE: 5% OF THE MATERIAL CAN WEIGH MORE THAN 400 POUNDS. HOWEVER NO PIECE SHALL WEIGH MORE THAN 500 POUNDS		200 LB.	50-100
		25 LB.	95-100

DATA REFERENCES:

- 1) VERTICAL DATUM: NAVD88 (NORTH AMERICAN VERTICAL DATUM OF 1988)
- 2) THE LAND CONTOURS BASED ON THE DWR LIDAR SURVEY 2007.
- 3) THE BATHYMETRY DATA WAS COLLECTED IN JUNE OF 2013.
- 4) THE 100-YR DESIGN FLOOD ELEVATIONS ARE BASED ON THE DWR DSC REPORT

ARCHITECT

 (916) 776-2277 Fax (916) 776-2282
 P.O. BOX 183, WALNUT GROVE, CA 95690

DCC ENGINEERING CO. INC.

 PLANNING
 PERMITTING
 ARCHITECTURE
 CIVIL ENGINEERING
 PROJECT MANAGEMENT
 P.O. BOX 929, GROVE, CA 95690 TEL (916) 776-2277 FAX (916) 776-2282

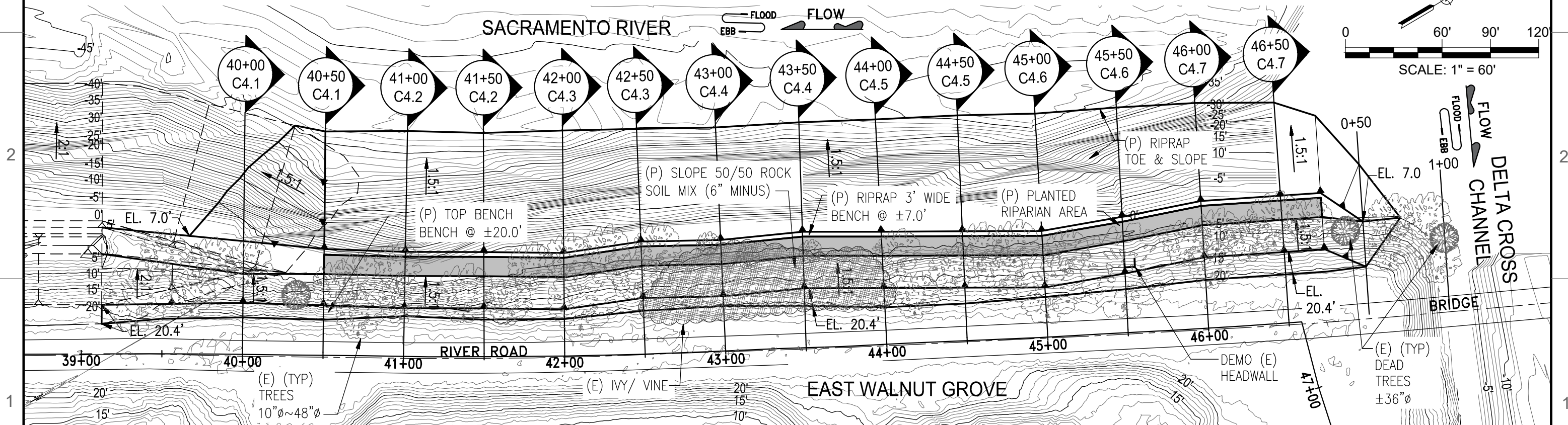
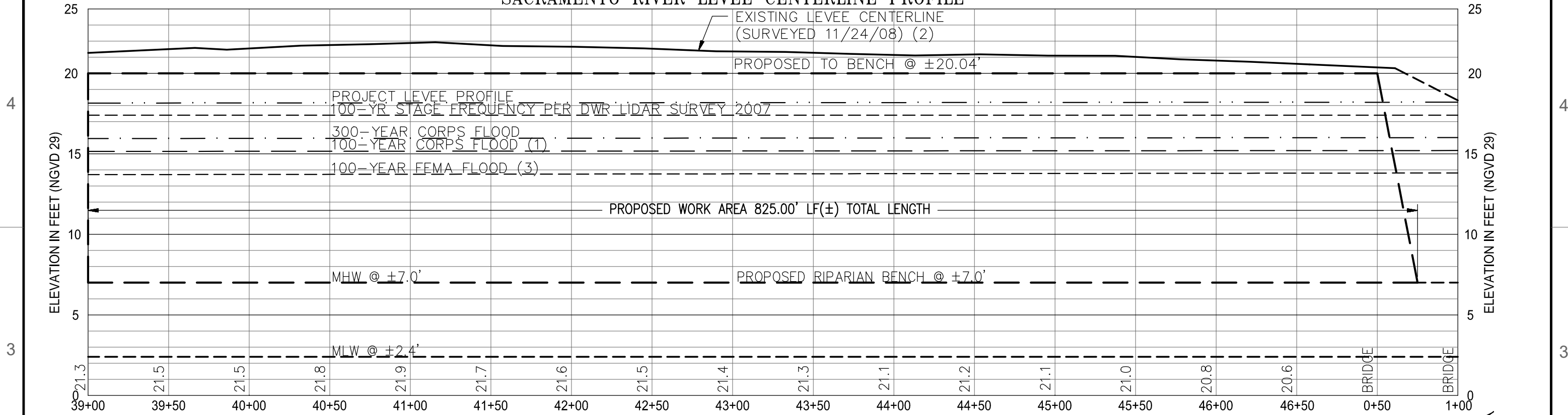
DESIGNED BY: N/A
 DRAWN BY: JM / RM
 CHECK BY: G. LABRIE
 SCALE: ORIGINAL DRAWING SCALE 0" 1/2" 1"

REVISIONS				
SYM	DESCRIPTION	DATE	BY	APPRD. BY

RECLAMATION DISTRICT 554-EAST WALNUT GROVE
EROSION CONTROL AND RIPARIAN BENCH RESTORATION SACRAMENTO RIVER STA 39+50 TO STA 46+50
GENERAL NOTES AND SPECS.

DATE: 10-19-2020
 SHEET NUMBER: **C2.0**
 PROJECT NUMBER: 7738.022

SACRAMENTO RIVER LEVEE CENTERLINE PROFILE



DATA REFERENCES:
 1) VERTICAL DATUM: NAVD88 (NORTH AMERICAN VERTICAL DATUM OF 1988)
 2) THE LAND CONTOURS BASED ON THE DWR LIDAR SURVEY 2007.
 3) THE BATHYMETRY DATA WAS COLLECTED IN JUNE OF 2013.
 4) THE 100-YR DESIGN FLOOD ELEVATIONS ARE BASED ON THE DWR DSC REPORT

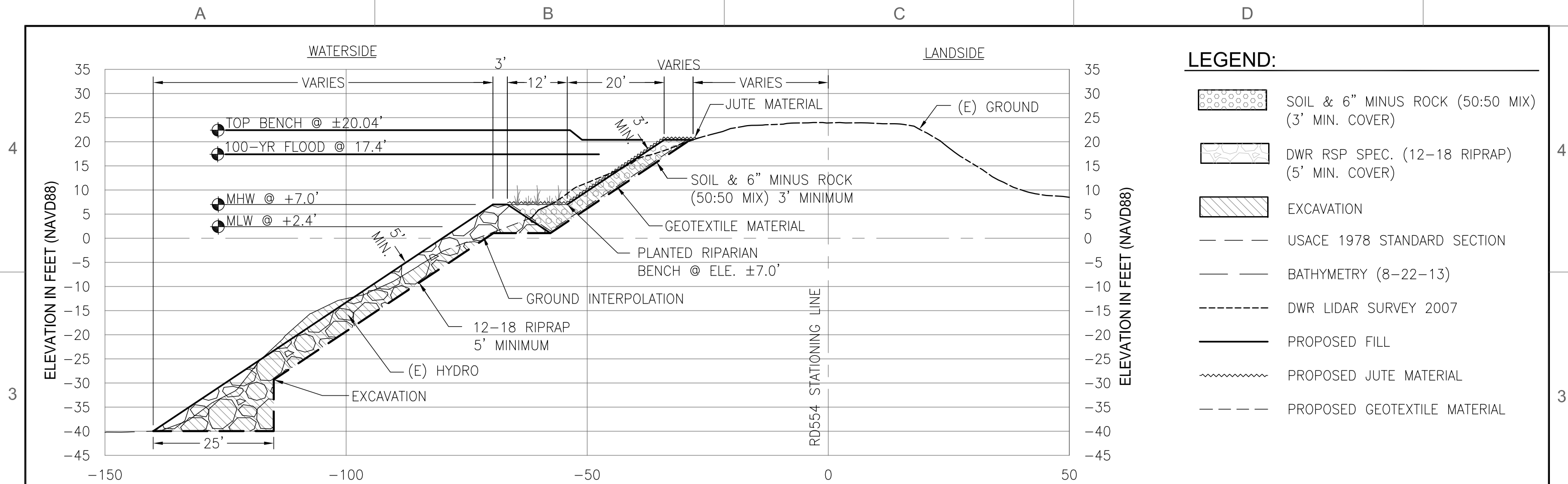
ARCHITECT
 Gilbert & Associates
 (916) 776-2277 Fax (916) 776-2282
 P.O. BOX 183, WALNUT GROVE, CA 95690

DCC ENGINEERING CO., INC.
 PLANNING
 PERMITTING
 ARCHITECTURE
 CIVIL ENGINEERING
 PROJECT MANAGEMENT
 P.O. BOX 929, GROVE, CA 95690 TEL (916) 776-2277 FAX (916) 776-2282

DESIGNED BY: N/A
 DRAWN BY: JM / RM
 CHECK BY: G. LABRIE
 SCALE: ORIGINAL DRAWING SCALE 0" 1/2" 1"

REVISIONS				
SYM	DESCRIPTION	DATE	BY	APRVD. BY

RECLAMATION DISTRICT 554-EAST WALNUT GROVE
 EROSION CONTROL AND RIPARIAN BENCH RESTORATION
 SACRAMENTO RIVER
 STA 39+50 TO STA 46+50
 PLAN & PROFILE STA 40+00~ 46+50
 DATE: 10-19-2020
 SHEET NUMBER: C3.0
 PROJECT NUMBER: 7738.022

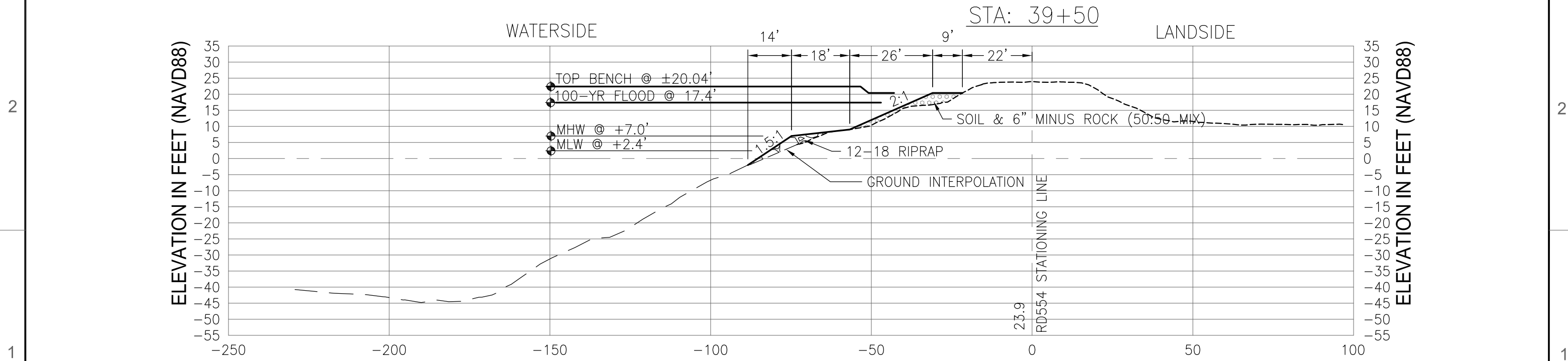


LEGEND:

	SOIL & 6" MINUS ROCK (50:50 MIX) (3' MIN. COVER)
	DWR RSP SPEC. (12-18 RIPRAP) (5' MIN. COVER)
	EXCAVATION
	USACE 1978 STANDARD SECTION
	BATHYMETRY (8-22-13)
	DWR LIDAR SURVEY 2007
	PROPOSED FILL
	PROPOSED JUTE MATERIAL
	PROPOSED GEOTEXTILE MATERIAL

1 RIPARIAN / WETLAND BENCH AND KEY TYPICAL CROSS SECTION

SCALE 1" = 20'



DATA REFERENCES:
 1) VERTICAL DATUM: NAVD88 (NORTH AMERICAN VERTICAL DATUM OF 1988)
 2) THE LAND CONTOURS BASED ON THE DWR LIDAR SURVEY 2007.
 3) THE BATHYMETRY DATA WAS COLLECTED IN JUNE OF 2013.
 4) THE 100-YR DESIGN FLOOD ELEVATIONS ARE BASED ON THE DWR DSC REPORT

ARCHITECT
 Gilbert Labrie - AIA
 (916) 776-2277 Fax (916) 776-2282
 P.O. BOX 183, WALNUT GROVE, CA 95690

DCC ENGINEERING CO. INC.
 PLANNING
 PERMITTING
 ARCHITECTURE
 CIVIL ENGINEERING
 PROJECT MANAGEMENT
 P.O. BOX 929, GROVE, CA 95690 TEL (916) 776-2277 FAX (916) 776-2282

DESIGNED BY: N/A
 DRAWN BY: JM / RM
 CHECK BY: G. LABRIE
 SCALE: 1" = 20'
 ORIGINAL DRAWING SCALE: 0" 1/2" 1"

REVISIONS				
SYM	DESCRIPTION	DATE	BY	APRVD. BY

RECLAMATION DISTRICT 554-EAST WALNUT GROVE
 EROSION CONTROL AND RIPARIAN BENCH RESTORATION
 SACRAMENTO RIVER
 STA 39+50 TO STA 46+50
 TYPICAL CROSS SECTION & 39+50
 DATE: 10-19-2020
 SHEET NUMBER: C4.0
 PROJECT NUMBER: 7738.022

A

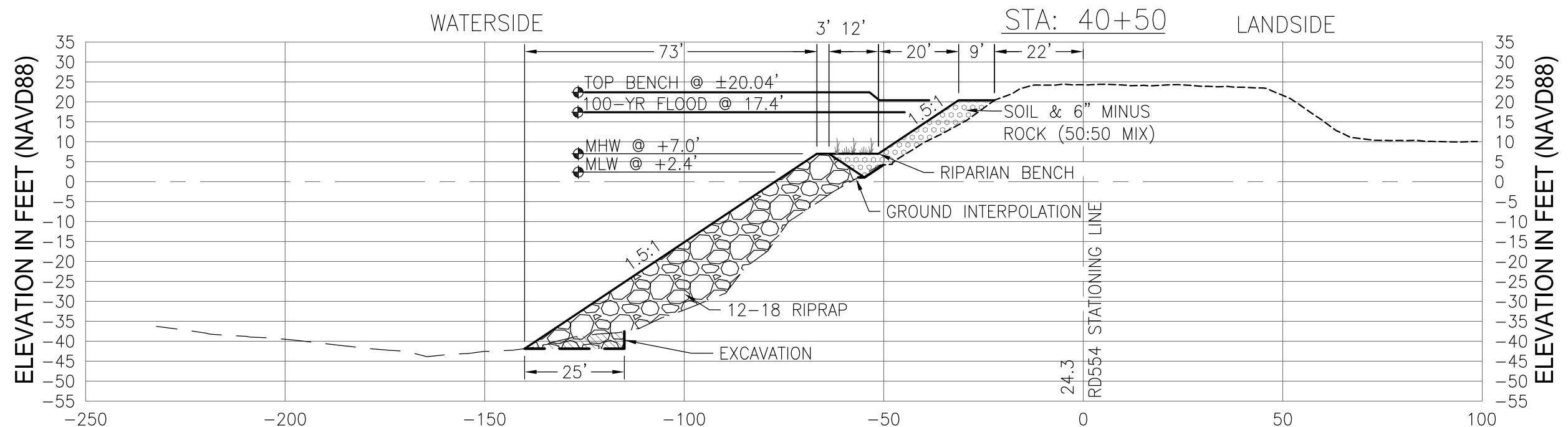
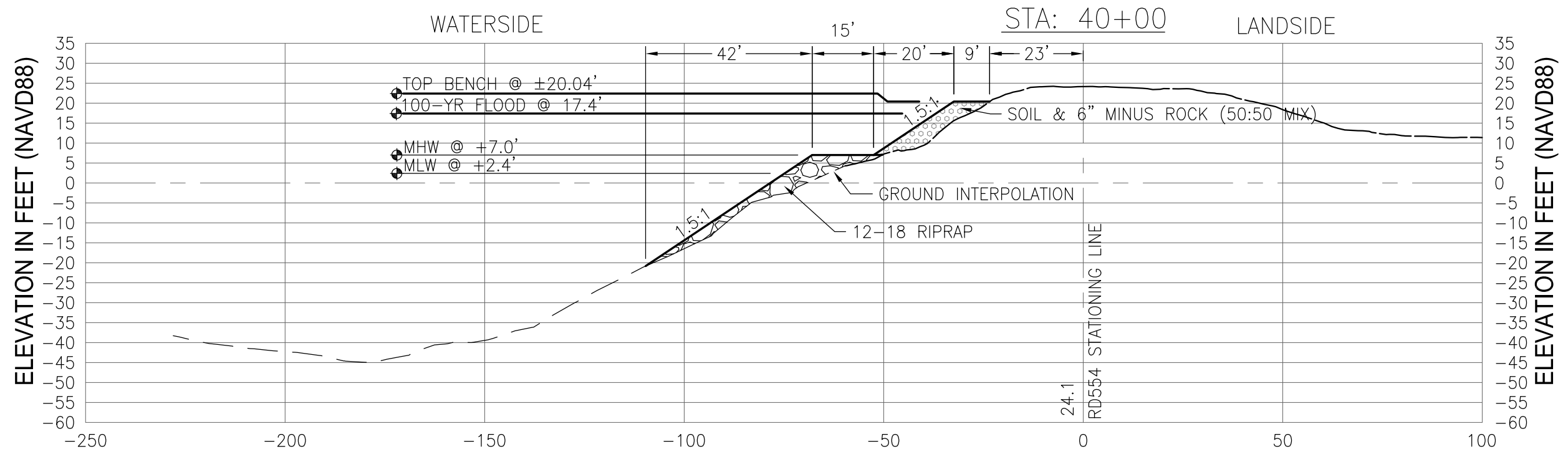
B

C

D

LEGEND:

- USACE 1978 STANDARD SECTION ---
- BATHYMETRY (8-22-13) ---
- DWR LIDAR SURVEY 2007 ---



DATA REFERENCES:
 1) VERTICAL DATUM: NAVD88 (NORTH AMERICAN VERTICAL DATUM OF 1988)
 2) THE LAND CONTOURS BASED ON THE DWR LIDAR SURVEY 2007.
 3) THE BATHYMETRY DATA WAS COLLECTED IN JUNE OF 2013.
 4) THE 100-YR DESIGN FLOOD ELEVATIONS ARE BASED ON THE DWR DSC REPORT

ARCHITECT
 Gilbert Labrie, AIA
 (916) 776-2277 Fax (916) 776-2282
 P.O. BOX 183, WALNUT GROVE, CA 95690

DCC ENGINEERING CO. INC.
 PLANNING
 PERMITTING
 ARCHITECTURE
 CIVIL ENGINEERING
 PROJECT MANAGEMENT
 P.O. BOX 929, GROVE, CA 95690 TEL (916) 776-2277 FAX (916) 776-2282

DESIGNED BY: N/A
 DRAWN BY: JM / RM
 CHECK BY: G. LABRIE
 SCALE: 1" = 30'
 ORIGINAL DRAWING SCALE: 0" 1/2" 1"

REVISIONS				
SYM	DESCRIPTION	DATE	BY	APPRD. BY

RECLAMATION DISTRICT 554-EAST WALNUT GROVE
 EROSION CONTROL AND RIPARIAN BENCH RESTORATION
 SACRAMENTO RIVER
 STA 39+50 TO STA 46+50
 CROSS SECTIONS 40+00 & 40+50

DATE: 10-19-2020
 SHEET NUMBER: C4.1
 PROJECT NUMBER: 7738.022

A

B

C

D

A

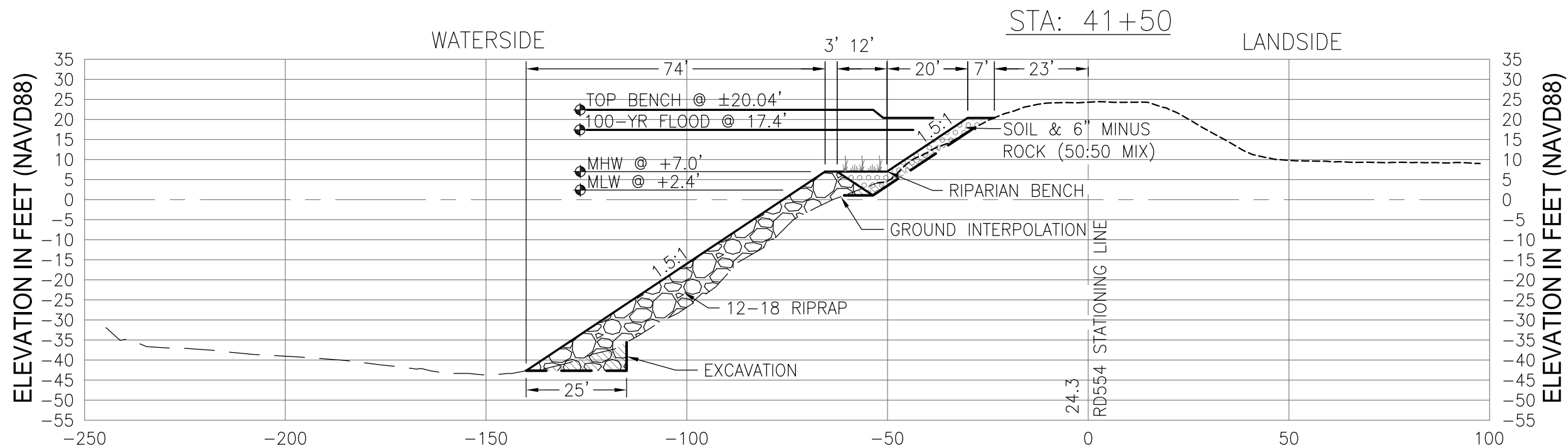
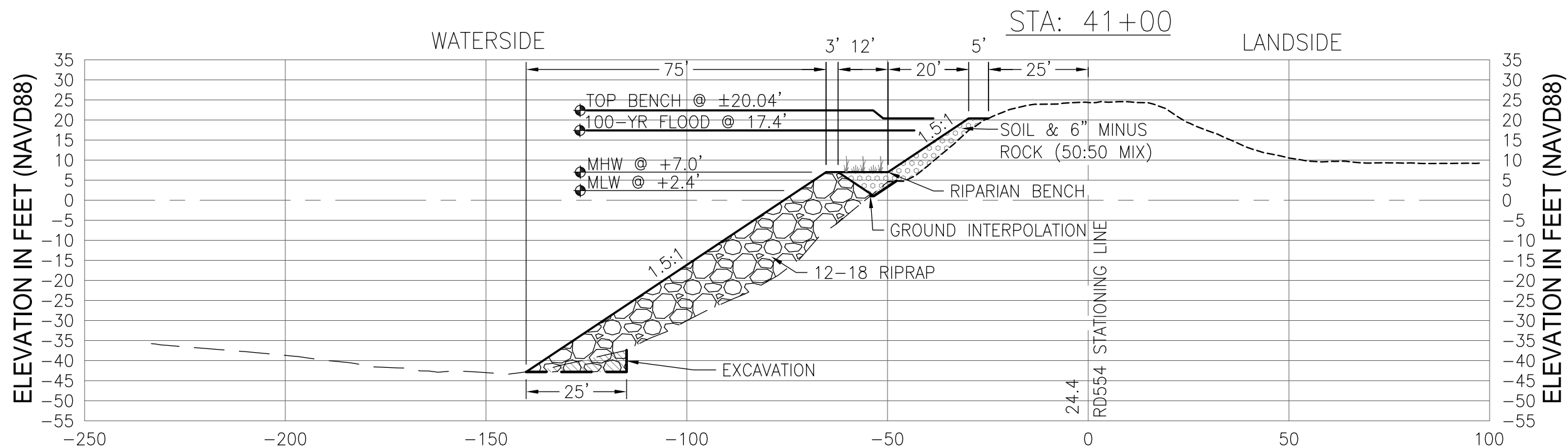
B

C

D

LEGEND:

- USACE 1978 STANDARD SECTION
- BATHYMETRY (8-22-13)
- DWR LIDAR SURVEY 2007



DATA REFERENCES:

- 1) VERTICAL DATUM: NAVD88 (NORTH AMERICAN VERTICAL DATUM OF 1988)
- 2) THE LAND CONTOURS BASED ON THE DWR LIDAR SURVEY 2007.
- 3) THE BATHYMETRY DATA WAS COLLECTED IN JUNE OF 2013.
- 4) THE 100-YR DESIGN FLOOD ELEVATIONS ARE BASED ON THE DWR DSC REPORT

ARCHITECT

 (916) 776-2277 Fax (916) 776-2282
 P.O. BOX 183, WALNUT GROVE, CA 95690

DCC ENGINEERING CO. INC.

 PLANNING
 PERMITTING
 ARCHITECTURE
 CIVIL ENGINEERING
 PROJECT MANAGEMENT
 P.O. BOX 929, GROVE, CA 95690 TEL (916) 776-2277 FAX (916) 776-2282

DESIGNED BY: N/A
 DRAWN BY: JM / RM
 CHECK BY: G. LABRIE

SCALE:
1" = 30'
 ORIGINAL DRAWING SCALE
 0" 1/2" 1"

REVISIONS				
SYM	DESCRIPTION	DATE	BY	APPRD. BY

RECLAMATION DISTRICT 554-EAST WALNUT GROVE
EROSION CONTROL AND RIPARIAN BENCH RESTORATION
 SACRAMENTO RIVER
 STA 39+50 TO STA 46+50
 CROSS SECTIONS 41+00 & 41+50

DATE: 10-19-2020
 SHEET NUMBER: **C4.2**
 PROJECT NUMBER: 7738.022

A

B

C

D

A

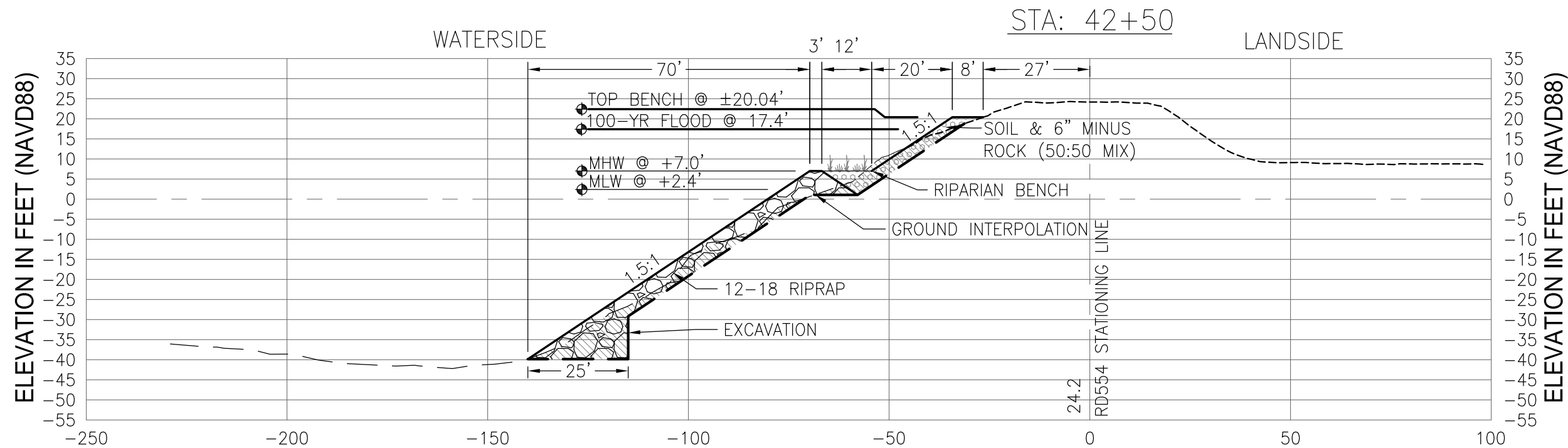
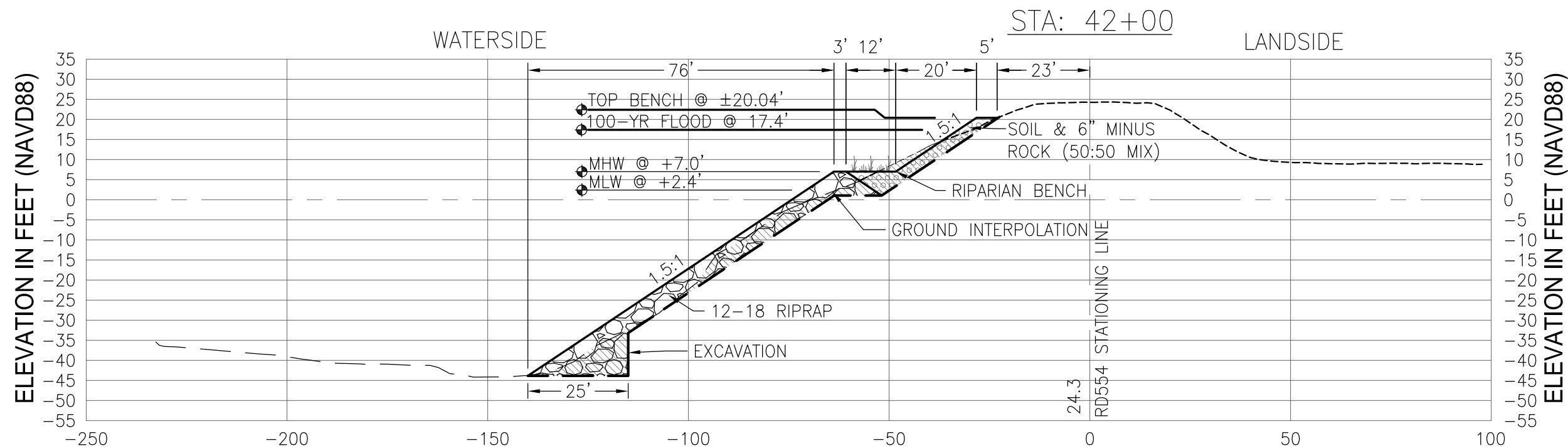
B

C

D

LEGEND:

- USACE 1978 STANDARD SECTION
- BATHYMETRY (8-22-13)
- DWR LIDAR SURVEY 2007



DATA REFERENCES:

- 1) VERTICAL DATUM: NAVD88 (NORTH AMERICAN VERTICAL DATUM OF 1988)
- 2) THE LAND CONTOURS BASED ON THE DWR LIDAR SURVEY 2007.
- 3) THE BATHYMETRY DATA WAS COLLECTED IN JUNE OF 2013.
- 4) THE 100-YR DESIGN FLOOD ELEVATIONS ARE BASED ON THE DWR DSC REPORT

ARCHITECT

 (916) 776-2277 Fax (916) 776-2282
 P.O. BOX 183, WALNUT GROVE, CA 95690

DCC ENGINEERING CO. INC.

 PLANNING
 PERMITTING
 ARCHITECTURE
 CIVIL ENGINEERING
 PROJECT MANAGEMENT
 P.O. BOX 929, GROVE, CA 95690 TEL (916) 776-2277 FAX (916) 776-2282

DESIGNED BY:
N/A
 DRAWN BY:
JM / RM
 CHECK BY:
G. LABRIE

SCALE:
1" = 30'
 ORIGINAL DRAWING SCALE
 0" 1/2" 1"

REVISIONS				
SYM	DESCRIPTION	DATE	BY	APPRD. BY

RECLAMATION DISTRICT 554-EAST WALNUT GROVE
**EROSION CONTROL AND
 RIPARIAN BENCH RESTORATION
 SACRAMENTO RIVER
 STA 39+50 TO STA 46+50**
 CROSS SECTIONS 42+00 & 42+50

DATE:
10-19-2020
 SHEET NUMBER:
C4.3
 PROJECT NUMBER:
7738.022

A

B

C

D

4

3

2

1

4

3

2

1

A

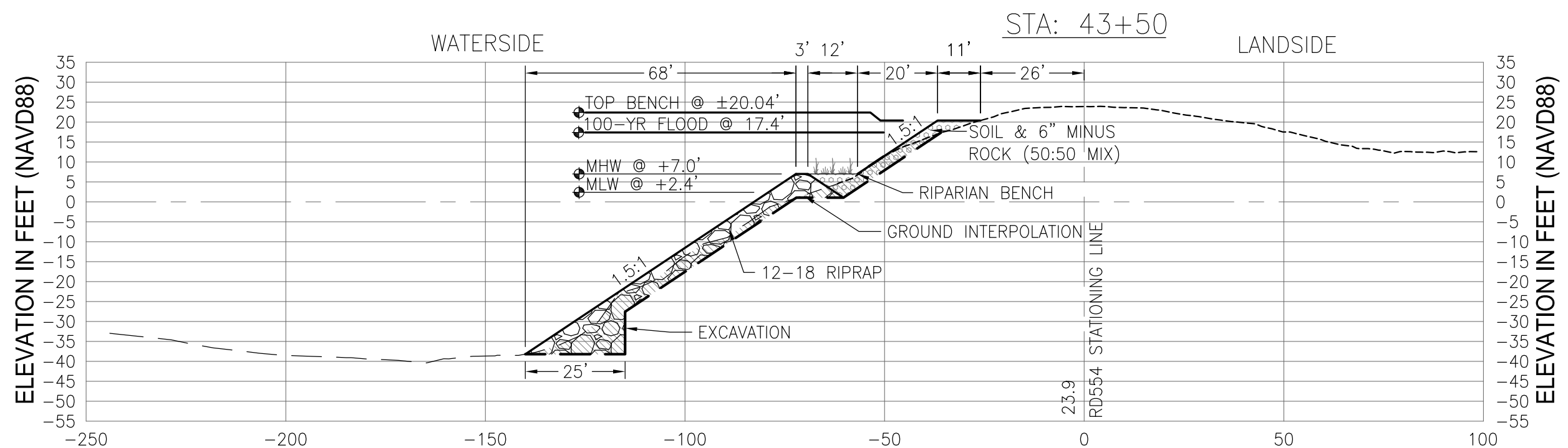
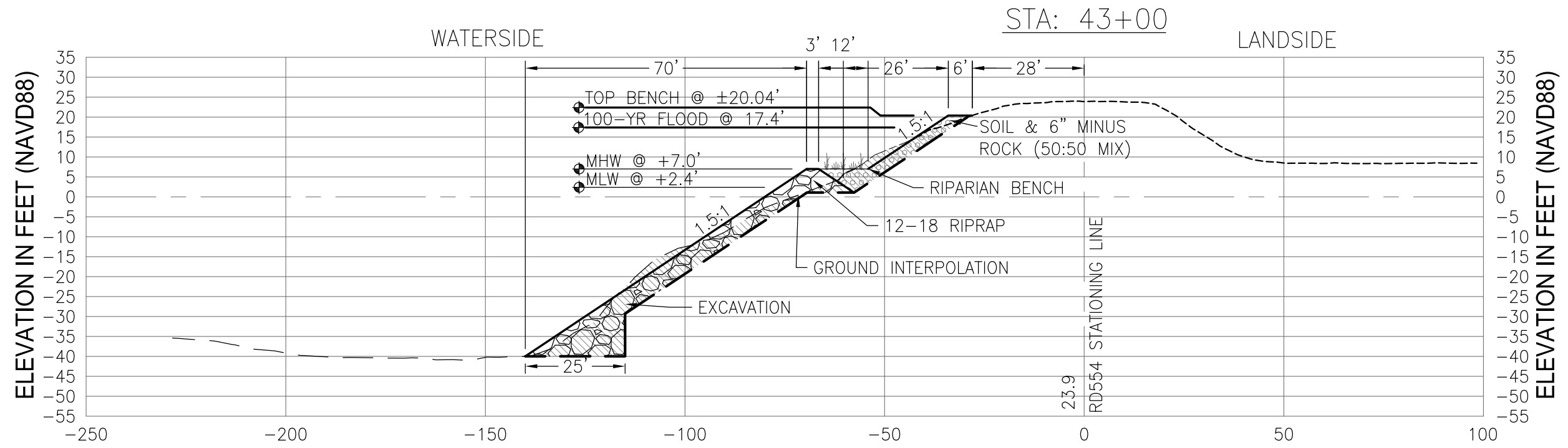
B

C

D

LEGEND:

USACE 1978 STANDARD SECTION	---
BATHYMETRY (8-22-13)	---
DWR LIDAR SURVEY 2007	---



DATA REFERENCES:

- 1) VERTICAL DATUM: NAVD88 (NORTH AMERICAN VERTICAL DATUM OF 1988)
- 2) THE LAND CONTOURS BASED ON THE DWR LIDAR SURVEY 2007.
- 3) THE BATHYMETRY DATA WAS COLLECTED IN JUNE OF 2013.
- 4) THE 100-YR DESIGN FLOOD ELEVATIONS ARE BASED ON THE DWR DSC REPORT

ARCHITECT
 Gilbert Labrie AIA
 (916) 776-2277 Fax (916) 776-2282
 P.O. BOX 183, WALNUT GROVE, CA 95690

DCC ENGINEERING CO. INC.
 PLANNING
 PERMITTING
 ARCHITECTURE
 CIVIL ENGINEERING
 PROJECT MANAGEMENT
 P.O. BOX 929, GROVE, CA 95690 TEL (916) 776-2277 FAX (916) 776-2282

DESIGNED BY: N/A
 DRAWN BY: JM / RM
 CHECK BY: G. LABRIE
 SCALE: 1" = 30'
 ORIGINAL DRAWING SCALE: 0" 1/2" 1"

REVISIONS				
SYM	DESCRIPTION	DATE	BY	APPRD. BY

RECLAMATION DISTRICT 554-EAST WALNUT GROVE
EROSION CONTROL AND RIPARIAN BENCH RESTORATION SACRAMENTO RIVER STA 39+50 TO STA 46+50
 CROSS SECTIONS 43+00 & 43+50

DATE: 10-19-2020
 SHEET NUMBER: **C4.4**
 PROJECT NUMBER: 7738.022

A

B

C

D

A

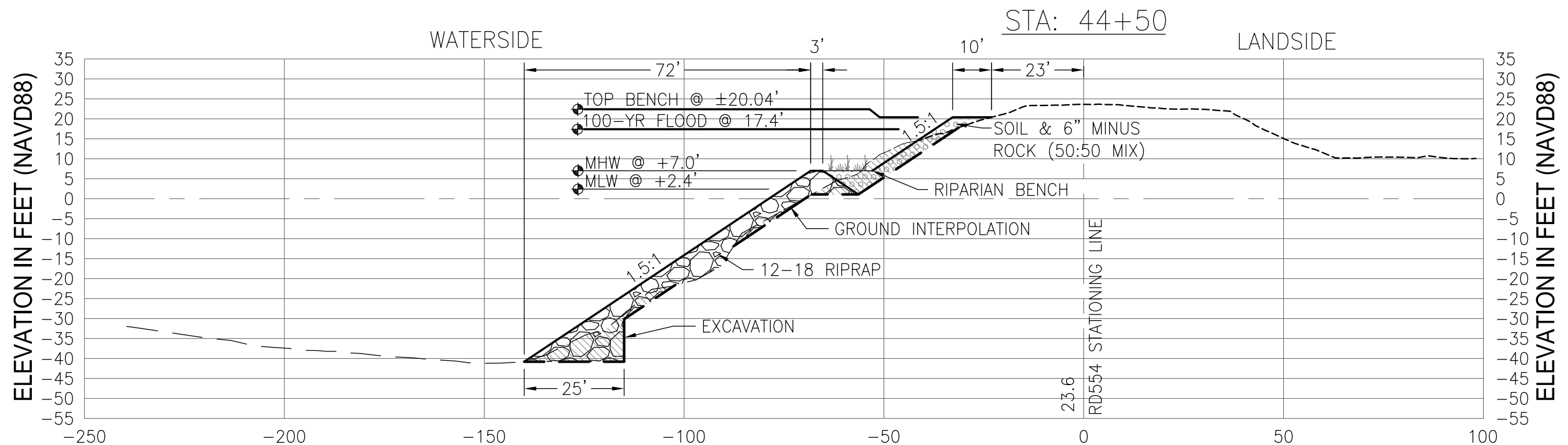
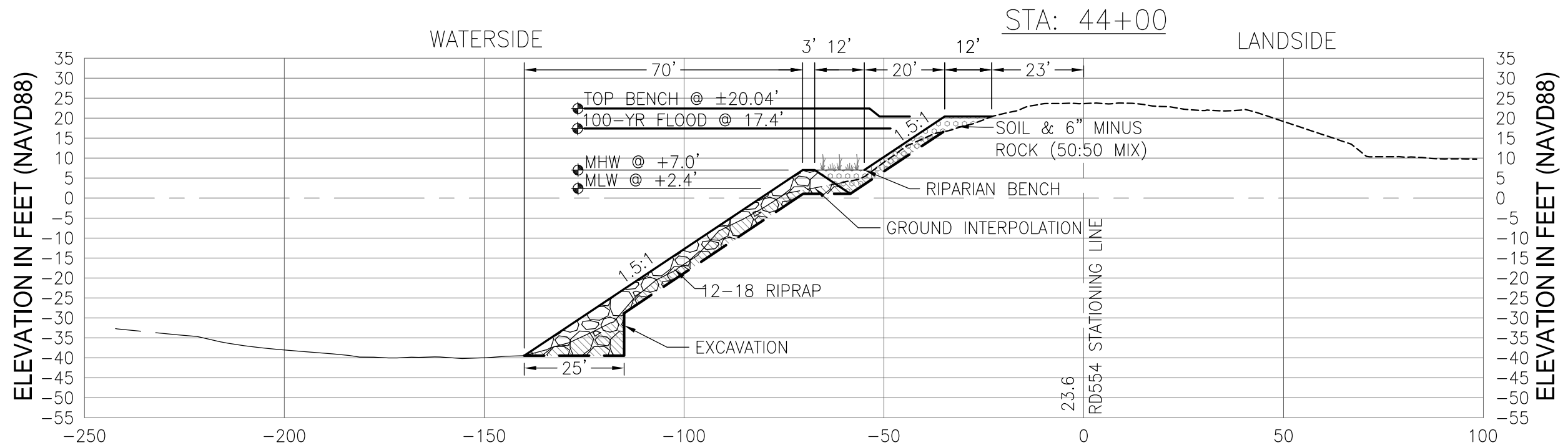
B

C

D

LEGEND:

- USACE 1978 STANDARD SECTION
- BATHYMETRY (8-22-13)
- DWR LIDAR SURVEY 2007



DATA REFERENCES:
 1) VERTICAL DATUM: NAVD88 (NORTH AMERICAN VERTICAL DATUM OF 1988)
 2) THE LAND CONTOURS BASED ON THE DWR LIDAR SURVEY 2007.
 3) THE BATHYMETRY DATA WAS COLLECTED IN JUNE OF 2013.
 4) THE 100-YR DESIGN FLOOD ELEVATIONS ARE BASED ON THE DWR DSC REPORT

ARCHITECT

 (916) 776-2277 Fax (916) 776-2282
 P.O. BOX 183, WALNUT GROVE, CA 95690

DCC ENGINEERING CO. INC.
 PLANNING
 PERMITTING
 ARCHITECTURE
 CIVIL ENGINEERING
 PROJECT MANAGEMENT
 P.O. BOX 929, GROVE, CA 95690 TEL (916) 776-2277 FAX (916) 776-2282

DESIGNED BY: N/A
 DRAWN BY: JM / RM
 CHECK BY: G. LABRIE
 SCALE: 1" = 30'
 ORIGINAL DRAWING SCALE: 0" 1/2" 1"

REVISIONS				
SYM	DESCRIPTION	DATE	BY	APRVD. BY

RECLAMATION DISTRICT 554-EAST WALNUT GROVE
EROSION CONTROL AND RIPARIAN BENCH RESTORATION SACRAMENTO RIVER STA 39+50 TO STA 46+50
 CROSS SECTIONS 44+00 & 44+50

DATE: 10-19-2020
 SHEET NUMBER: **C4.5**
 PROJECT NUMBER: 7738.022

A

B

C

D

A

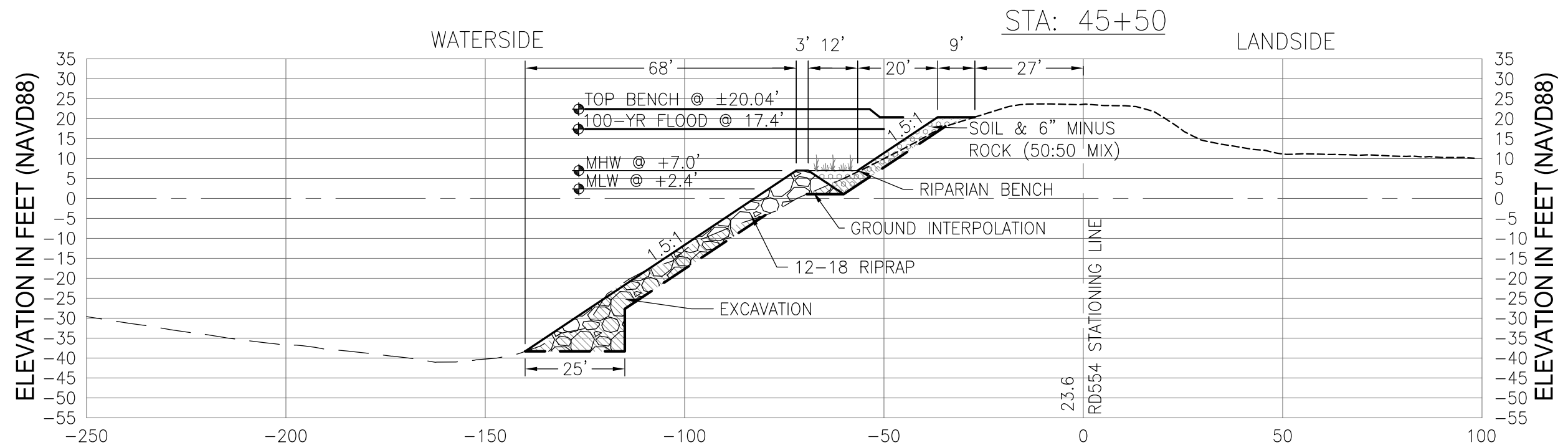
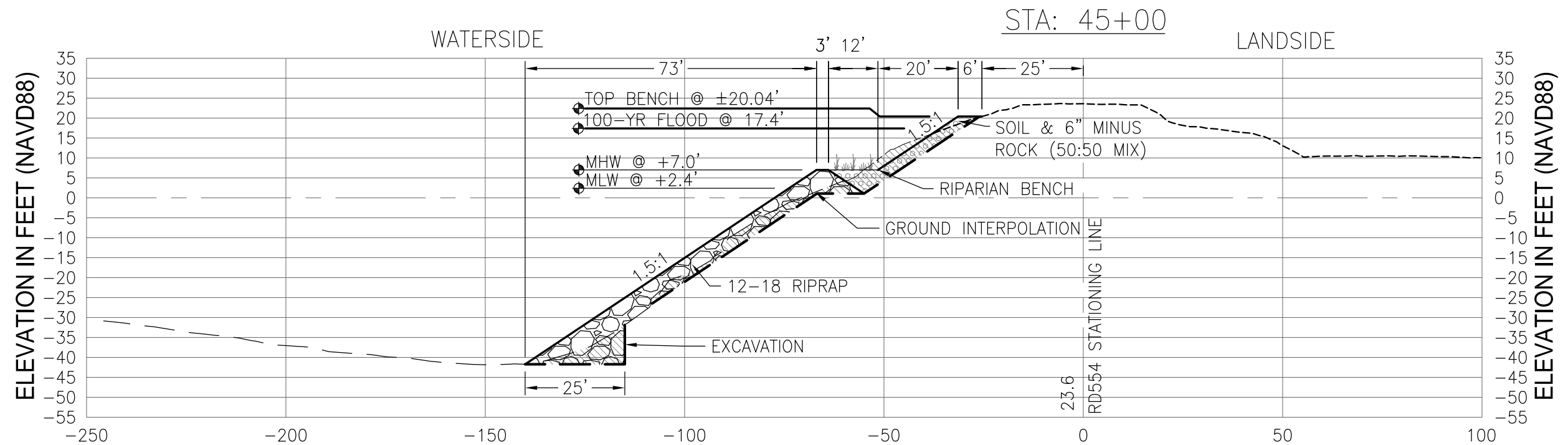
B

C

D

LEGEND:

- USACE 1978 STANDARD SECTION
- BATHYMETRY (8-22-13)
- DWR LIDAR SURVEY 2007



DATA REFERENCES:
 1) VERTICAL DATUM: NAVD88 (NORTH AMERICAN VERTICAL DATUM OF 1988)
 2) THE LAND CONTOURS BASED ON THE DWR LIDAR SURVEY 2007.
 3) THE BATHYMETRY DATA WAS COLLECTED IN JUNE OF 2013.
 4) THE 100-YR DESIGN FLOOD ELEVATIONS ARE BASED ON THE DWR DSC REPORT

ARCHITECT

 (916) 776-2277 Fax (916) 776-2282
 P.O. BOX 183, WALNUT GROVE, CA 95690

DCC ENGINEERING CO. INC.
 PLANNING
 PERMITTING
 ARCHITECTURE
 CIVIL ENGINEERING
 PROJECT MANAGEMENT
 P.O. BOX 929, GROVE, CA 95690 TEL (916) 776-2277 FAX (916) 776-2282

DESIGNED BY: N/A
 DRAWN BY: JM / RM
 CHECK BY: G. LABRIE
 SCALE: 1" = 30'
 ORIGINAL DRAWING SCALE: 0" 1/2" 1"

REVISIONS				
SYM	DESCRIPTION	DATE	BY	APRVD. BY

RECLAMATION DISTRICT 554-EAST WALNUT GROVE
 EROSION CONTROL AND RIPARIAN BENCH RESTORATION
 SACRAMENTO RIVER
 STA 39+50 TO STA 46+50
 CROSS SECTIONS 45+00 & 45+50

DATE: 10-19-2020
 SHEET NUMBER: C4.6
 PROJECT NUMBER: 7738.022

A

B

C

D

A

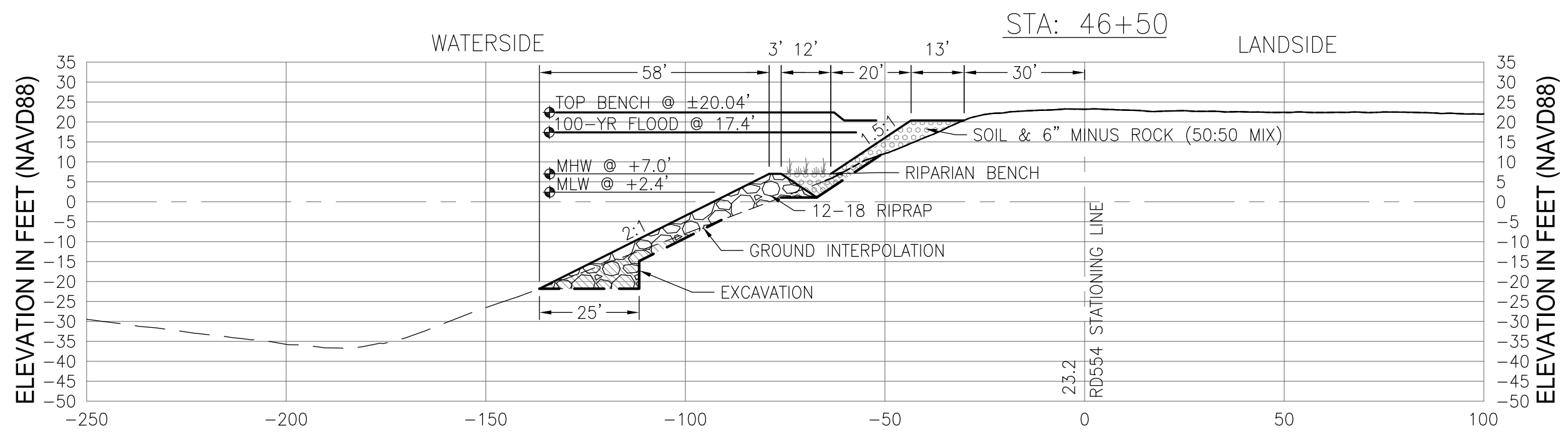
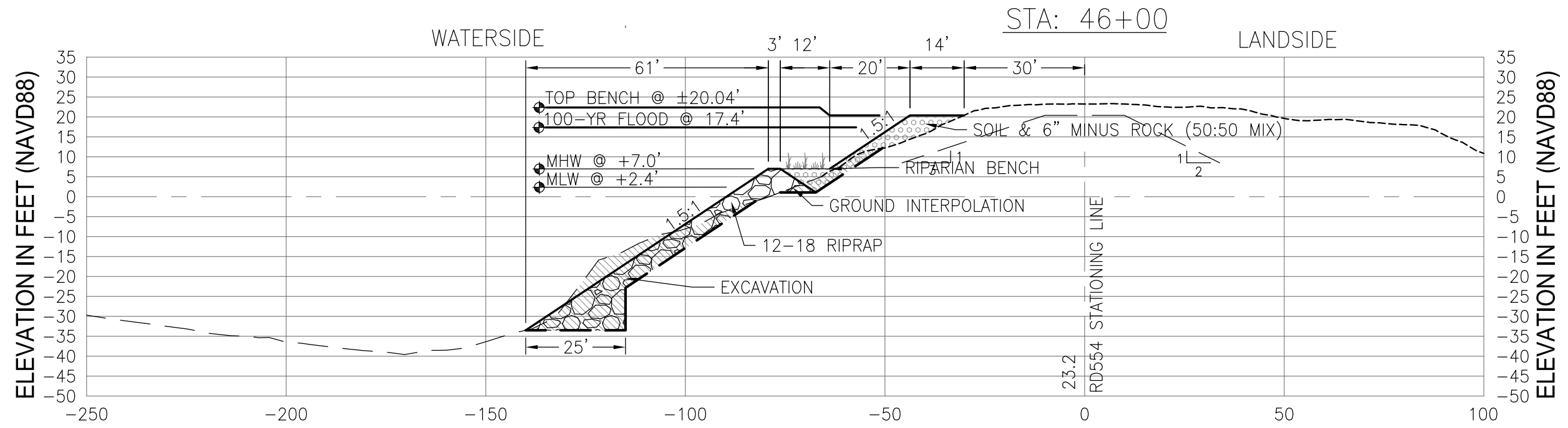
B

C

D

LEGEND:

- USACE 1978 STANDARD SECTION
- BATHYMETRY (8-22-13)
- DWR LIDAR SURVEY 2007



DATA REFERENCES:
 1) VERTICAL DATUM: NAVD88 (NORTH AMERICAN VERTICAL DATUM OF 1988)
 2) THE LAND CONTOURS BASED ON THE DWR LIDAR SURVEY 2007.
 3) THE BATHYMETRY DATA WAS COLLECTED IN JUNE OF 2013.
 4) THE 100-YR DESIGN FLOOD ELEVATIONS ARE BASED ON THE DWR DSC REPORT

ARCHITECT

 (916) 776-2277 Fax (916) 776-2282
 P.O. BOX 183, WALNUT GROVE, CA 95690

DCC ENGINEERING CO. INC.
 PLANNING
 PERMITTING
 ARCHITECTURE
 CIVIL ENGINEERING
 PROJECT MANAGEMENT
 P.O. BOX 929, GROVE, CA 95690 TEL (916) 776-2277 FAX (916) 776-2282

DESIGNED BY: N/A
 DRAWN BY: JM / RM
 CHECK BY: G. LABRIE
 SCALE: 1" = 30'
 ORIGINAL DRAWING SCALE: 0" 1/2" 1"

REVISIONS				
SYM	DESCRIPTION	DATE	BY	APRVD. BY

RECLAMATION DISTRICT 554-EAST WALNUT GROVE
 EROSION CONTROL AND
 RIPARIAN BENCH RESTORATION
 SACRAMENTO RIVER
 STA 39+50 TO STA 46+50
 CROSS SECTIONS 46+00 & 46+50

DATE: 10-19-2020
 SHEET NUMBER: C4.7
 PROJECT NUMBER: 7738.022

A

B

C

D

4

3

2

1

4

3

2

1